

交流3极连接器II AC3P Connector II

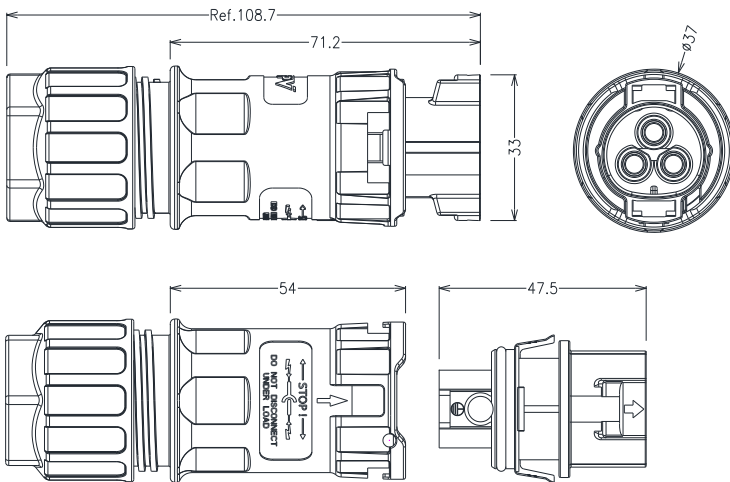
产品规格 Product Specifications

绝缘材料 Insulation material	PPE/PA	安全等级 Safety degree	II
额定电流 Rated current	Max.50A(10sqmm)	阻燃等级 Flame class	UL94-V0
额定电压 Rated voltage	500V AC	电线最大外径 Suitable cable OD Max.	Φ21mm
测试电压 Test voltage	4kV	环境温度范围 Ambient temperature range	-40°C...+85°C(IEC)
连接器接触电阻 Typical contact resistance	≤0.25 mΩ	适配电线规格 Suitable cable cross sections	2.5~6mm ² /14~10AWG
金属导体材料 Contact material	铜,镀锡 Copper, Tin plated	连接方式 Connecting system	锁/铆接方式 Screw/crimping connection
保护等级 Degree of protection	IP68	绝缘电阻 Insulation resistance	≥ 1000 MΩ
连接端子的直径及数量 Contaction diameter/number of contact	Ø4.0x3	标准 Standard	EN 61984

线端母头-板端公头: Cable female-panel male:

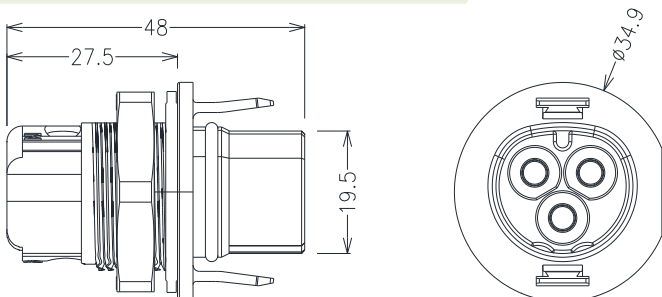
线端母连接器

Female cable end part number:3PCF



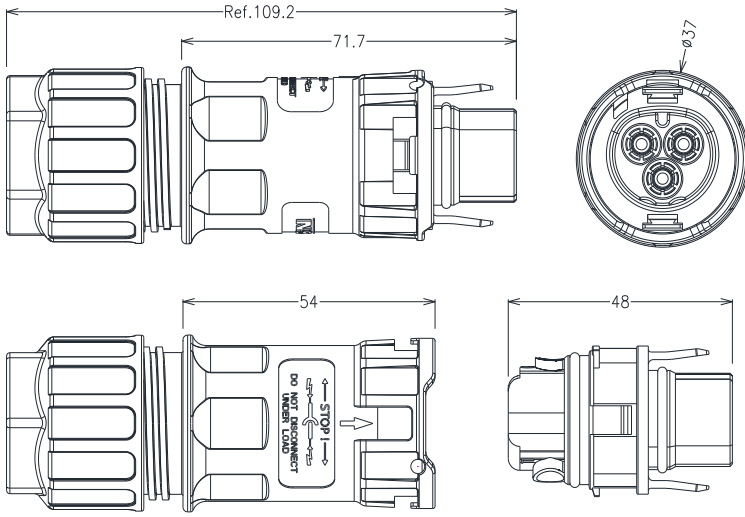
板端公连接器

Male panel connector:3PPM

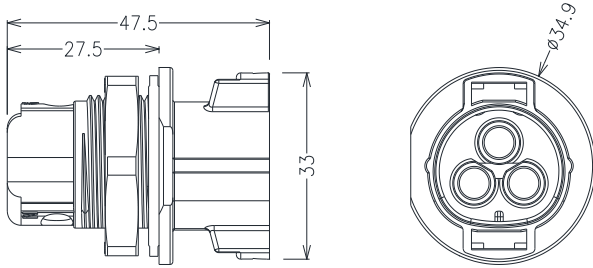


线端公头-板端母头:
Cable male-panel female:

线端公连接器
Male cable connector:3PCM

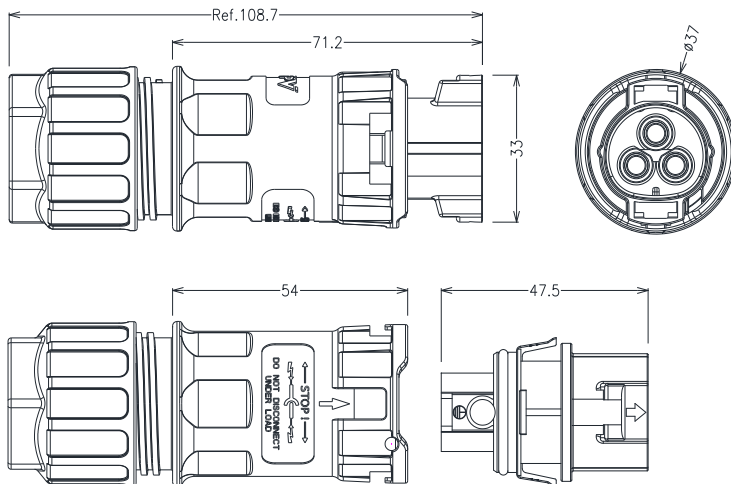


板端母连接器
Female panel connector:3PPF



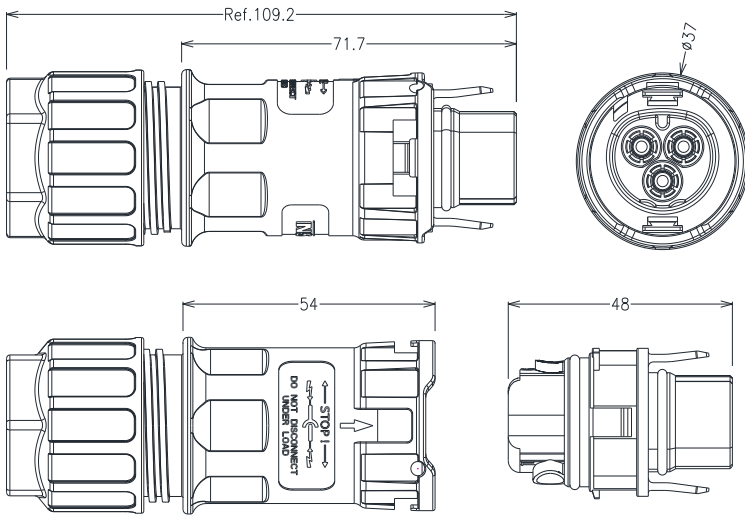
线端公头-线端母头:
Cable male-cable female:

线端母连接器
Female cable end part number:3PCF

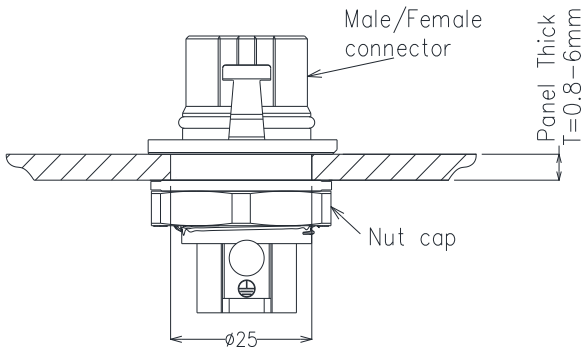


线端公连接器

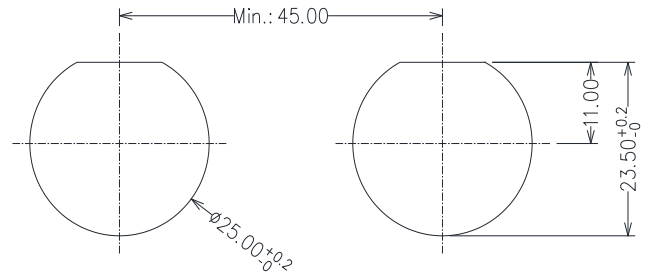
Male cable connector:3PCM



面板孔位尺寸
Panel Hole Size

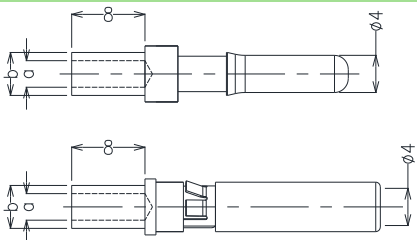


面板尺寸
Panel size



端子尺寸(mm)

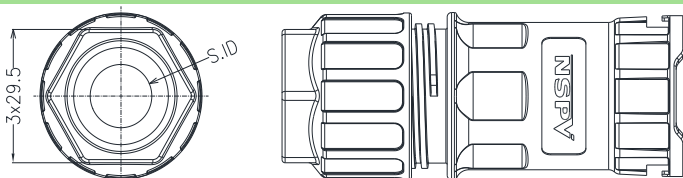
Terminal size(mm):



a (Ømm)	b (Ømm)	Cable Size
2.1	3.8	2.5mm&14AWG
2.8	4.6	4sqmm&12AWG
3.4	5.2	6sqmm&10AWG

防水圈尺寸(mm)

Seal inner size(mm):



S.OD (mm)
14
18
21